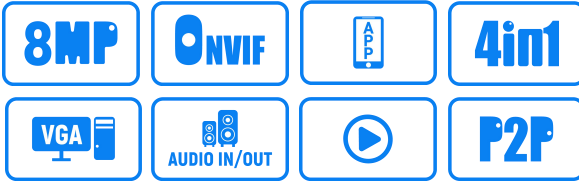




UIN-XVR3104-Q3/ XVR3108-Q3

4/8-ch 1-SATA 8MP XVR



■ Features

- Support H.265/H.264 video formats
- Support audio over coaxial cable(only for TVI cameras)
- Support TVI, AHD, CVI, CVBS, IP cameras with adaptive access
- 4/8-channel BNC input
- Support 1-ch CVBS output, 1-ch VGA output, 1-ch HDMI output at up to 4K(3840 x 2160)
- HDMI and VGA simultaneous output
- Long transmission distance over coaxial cable
- Support mainstream cameras of ONVIF and RTSP protocols





UIN-XVR3104-Q3/ XVR3108-Q3

4/8-ch 1-SATA 8MP XVR

■ Specification

| Model | XVR3104-Q3 | XVR3108-Q3 |
|-------------------------------|--|--|
| Video/Audio Input | | |
| Analog Video Input | 4-ch, BNC | 8-ch, BNC |
| IP Video Input | 2-ch(only IP up to 6ch), each channel up to 4MP Support AHD input: 8MP@15fps5MP@20fps4MP@30fps1080P@30fps720P@30fps Support TVI input: 8MP@15fps5MP@20fps4MP@30fps1080P@30fps720P@30fps Support CVI input: 8MP@15fps5MP@25fps4MP@30fps1080P@30fps 720P@30fps Support CVBS input | 4-ch(only IP up to 12ch), each channel up to 8MP Support AHD input: 8MP@15fps5MP@20fps4MP@30fps1080P@30fps720P@30fps Support TVI input: 8MP@15fps5MP@20fps4MP@30fps1080P@30fps720P@30fps upport CVI input: 8MP@15fps5MP@25fps4MP@30fps1080P@30fps720P@30fps upport CVBS input |
| Supported Analog Camera Types | | |
| Audio Input | 1-ch, RCA | |
| Audio Compression | G.711U | |
| Video/Audio Output | | |
| CVBS Output | 1-ch, BNC | |
| VGA Output | 1920x1080p/60Hz, 1920x1080p/50Hz, 1600x1200/60Hz, 1280x1024/60Hz, 1280x720/60Hz, 1024x768/60Hz | |
| HDMI Output | 3840 x 2160/30Hz, 1920x1080p/60Hz, 1920x1080p/50Hz, 1600x1200/60Hz, 1280x1024/60Hz, 1280x720/60Hz,1024x768/60Hz | |
| Audio Output | 1-ch, RCA | |
| Synchronous Playback | 4 | 8 |
| Live view display | HDMI/VGA: 1/4/6/8/9 | HDMI/VGA: 1/4/6/8/9/16 |
| Two-way Audio | 1-ch, RCA | |
| Network | | |
| Incoming Bandwidth | 40Mbps (Up to 48Mbpsafter all analog channel conversion) | 40Mbps (Up to 56Mbpsafter all analog channel conversion) |
| Outgoing Bandwidth | 48Mbps | 64Mbps |
| Remote Users | 128 | |
| Protocols | TCP/IP, P2P, UPnP, DHCP, HTTP, HTTPS, DNS, DDNS, SMTP | |
| Browser | IE(IE10/11) for WindowsFirefox (version 52.0 and above) for WindowsChrome(version 45 and above) for WindowsEdge(version 79 and above)for Windows | |
| Encoding | | |
| Recording Resolution | 8MP Lite/5MP Lite/4MP Lite/1080P/720P/CIF | 8MP Lite/5MP Lite/4MP Lite /1080P/720P/CIF |
| | Main stream 8MP Lite@8fps 5MP Lite @12fps 4MP Lite@15fps 1080P@15fps 720p@30fps | Sub stream D1@8fps D1@12fps D1@15fps D1@15fps D1@30fps |
| RecordingFrame Rate | | Main stream 8MP Lite@8fps 5MP Lite @12fps 4MP Lite@15fps 1080P@15fps 720p@30fps |
| Audio Sample Rate | 8KHz,16 bit per channel | |
| Audio Bit Rate | 64Kbpsper channel | |
| Decoding | | |
| Capability | Analog: 4 x8MP Lite@8, 4x 5MP Lite@12, 4x 4MP Lite@15, 4x 1080P@15IP: 1 x 4MP@30, 2x 1080P@30 | Analog: 8 x8MP Lite@8,8x 5MP Lite@12, 8x 4MP Lite@15, 8x 1080P@15IP: 1 x 8MP@30, 2 x 4MP@30, 4x 1080P@30 |
| Hard Disk | | |
| SATA | 1 SATA interface | |
| Capacity | Up to 8TB for each HDD(The maximum HDD capacity varies with environment temperature) | |
| General Alarm | | |
| General Alarm | Motion detection | |
| Alert Alarm | IP Conflict, Network Disconnected, Disk offline, Disk Abnormal, Illegal Access,Hard Disk Space Low, Hard Disk Full, Recording/Snapshot Abnormal | |
| External Interface | | |
| Network Interface | 1 RJ45 10M/100M self-adaptive Ethernet Interface | |
| USB Interface | Rear panel: 2 x USB2.0 | |
| RS485 | 1 | |
| Alarm In | 4-ch | |
| Alarm Out | 1-ch | |
| General | | |
| Power Supply | 12V DCPower Consumption: ≤ 10 W(without HDD) | |
| Working Environment | -10°C ~ + 55°C (+14°F ~ +131°F), Humidity ≤ 90% RH(non-condensing) | |
| Dimensions(W×D×H) | 260mm ×226mm× 47mm (10.2" × 8.9"×1.8") | |
| Weight (without HDD) | ≤1.1Kg (2.42lb) | |
| Certification | | |
| Certification | UL /CE /FCC /RoHS /WEEE | |

* Product specifications may change without prior notice.





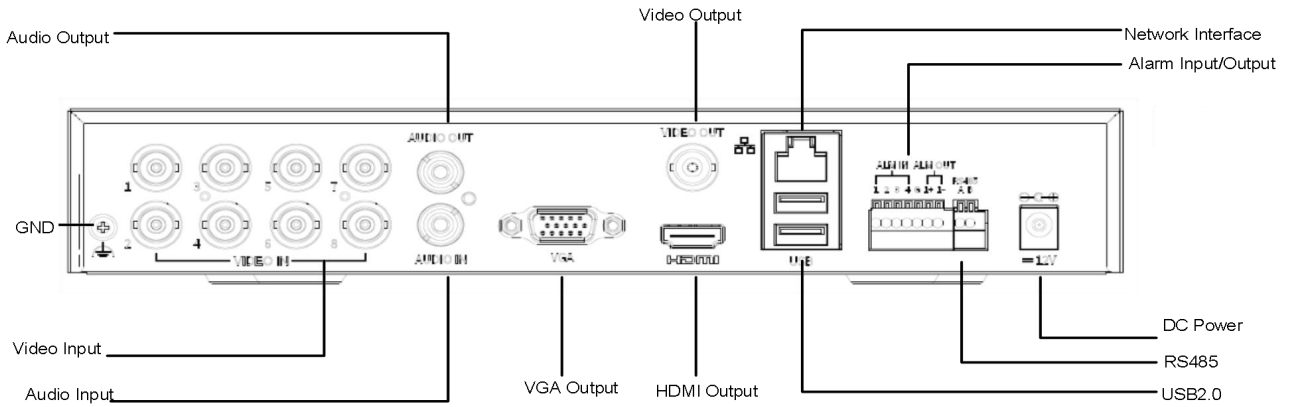
UIN-XVR3104-Q3/ XVR3108-Q3

4/8-ch 1-SATA 8MP XVR

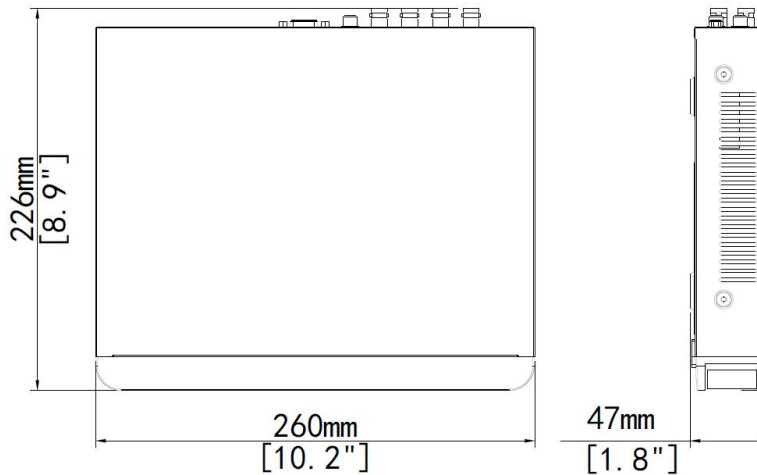
Available Model

UIN-XVR3104-Q3
UIN-XVR3108-Q3

Rear Panel



Dimension



Uin Technology Co., Ltd.

+86-871 63586112

www.uin-tech.com

4F,Block 7 Lijincheng High Tech Garden,Longhua District,Shenzhen China

