



UIN-NVR3864-V2

64-ch 8-SATA Ultra 265/H.265/H.264 NVR



■ Features

- Support Ultra H.265/H.265/H.264 video formats
- 16/32/64-channel input
- Third-party IP cameras supported with ONVIF conformance: Profile S, Profile G, Profile T
- Support 2-ch HDMI, 1-ch VGA. HDMI1 and HDMI2 up to 4K (3840x2160) resolution
- HDMI1, HDMI2, VGA independent outputs provided
- Up to 12 Megapixels resolution recording
- Support RAID 0, 1, 5, 6, 10
- 8 SATA HDDs, Up to 10TB for each HDD
- Various fisheye dewarping modes for live view and playback for both web interface and GUI
- Support N+1 Hot spare
- Support for 12V Power output
- ANR technology to enhance the storage reliability when the network is disconnected
- Support cloud upgrade





UIN-NVR3864-V2

64-ch 8-SATA Ultra 265/H.265/H.264 NVR

■ Specification

| Model | UIN-NVR3816-V2 | UIN-NVR3832-V2 | UIN-NVR3864-V2 |
|---------------------------|--|---|--|
| Video/Audio Input | | | |
| IP Video Input | 16-ch | 32-ch | 64-ch |
| Two-way Audio Input | | 1-ch, RCA | |
| Network | | | |
| Incoming Bandwidth | | 384Mbps | |
| Outgoing Bandwidth | | 384Mbps | |
| Remote Users | | 128 | |
| Protocols | | P2P, UPnP, NTP, DHCP, PPPoE | |
| Video/Audio Output | | | |
| HDMI/VGA Output | VGA: 1920x1080p/60Hz, 1920x1080p/50Hz, 1600x1200/60Hz, 1280x1024/60Hz, 1280x720/60Hz, 1024x768/60Hz HDMI1/HDMI2(HDMI audio output is not supported): 4K (3840x2160)/30Hz, 1920x1080p/60Hz, 1920x1080p/50Hz, 1600x1200/60Hz, 1280x1024/60Hz, 1280x720/60Hz, 1024x768/60Hz | | |
| Recording Resolution | 12MP/8MP/6MP/5MP/4MP/3MP/1080p/960p/720p/D1/2CIF/CIF | | |
| Audio Output | | 1-ch, RCA | |
| Synchronous Playback | | 16-ch | |
| Corridor Mode Screen | 3/4/5/7/9/10/12/16 | | 3/4/5/7/9/10/12/16/32 |
| Decoding | | | |
| Decoding format | | Ultra 265, H.265, H.264 | |
| Live view/Playback | 12MP/8MP/6MP/5MP/4MP/3MP/1080p/960p/720p/D1/2CIF/CIF | | |
| Capability | 2 x 12MP@30, 4 x 4K@30, 8 x 4MP@30, 9 x 4MP@25, 16 x 1080P@30 | 2 x 12MP@30, 4 x 4K@30, 8 x 4MP@30, 9 x 4MP@25, 16 x 1080P@30, 32 x 960P@25 | 2 x 12MP@30, 4 x 4K@30, 8 x 4MP@30, 9 x 4MP@25, 16 x 1080P@30, 32 x 960P@25, 36 x 720P@30, 64 x D1 |
| Hard Disk | | | |
| SATA | | 8 SATA interfaces | |
| Capacity | | up to 10TB for each HDD | |
| eSATA | | 1 eSATA interface | |
| Disk Array | | | |
| Array Type | | RAID 0, 1, 5, 6, 10 | |
| External Interface | | | |
| Network Interface | 2 RJ45 10M/100M/1000M self-adaptive Ethernet Interfaces | | |
| Serial Interface | 1 x RS232, 1 x RS485 | | |
| USB Interface | Front panel: 2 x USB2.0,Rear panel: 1 x USB3.0 | | |
| Alarm In | | 16-ch | |
| Alarm Out | | 4-ch | |
| General | | | |
| Power Supply | 100~240 VAC Power Consumption: ≤ 25 W (without HDD) | | |
| Working Environment | -10°C~+ 55°C (+14°F~+131°F), Humidity ≤ 90% RH (non-condensing) | | |
| Dimensions (W×D×H) | 442mm ×426mm× 89mm (17.4" × 16.8"× 3.5") | | |
| Weight (without HDD) | ≤ 5.7Kg (12.57lb) | | |

* Product specifications may change without prior notice.





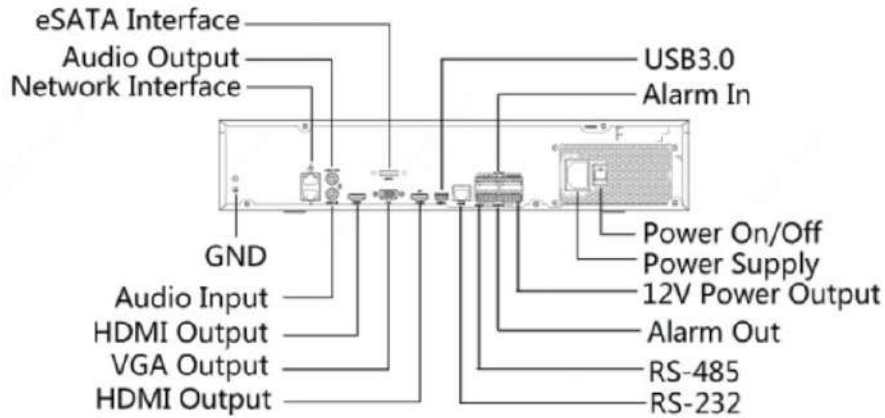
UIN-NVR3864-V2

64-ch 8-SATA Ultra 265/H.265/H.264 NVR

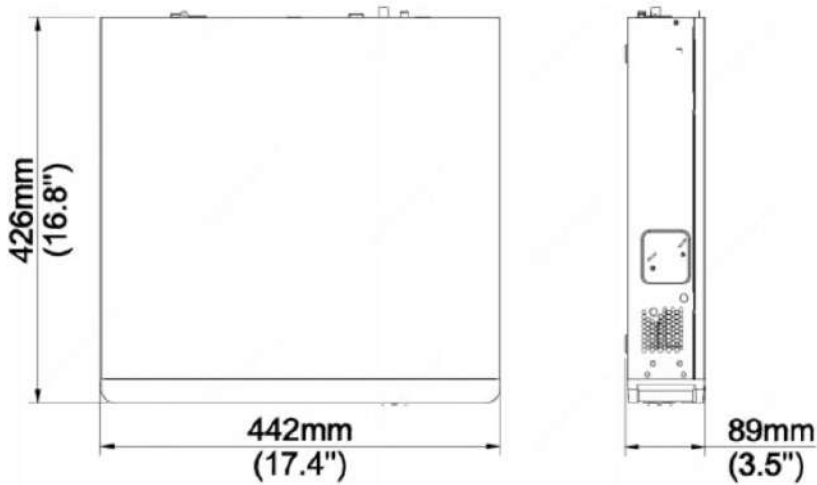
■ Available Model

UIN-NVR3864-V2

■ Rear Panel



■ Dimension



Uin Technology Co., Ltd.

+86-871 63586112

www.uin-tech.com

4F,Block 7 Lijincheng High Tech Garden,Longhua District,Shenzhen China

